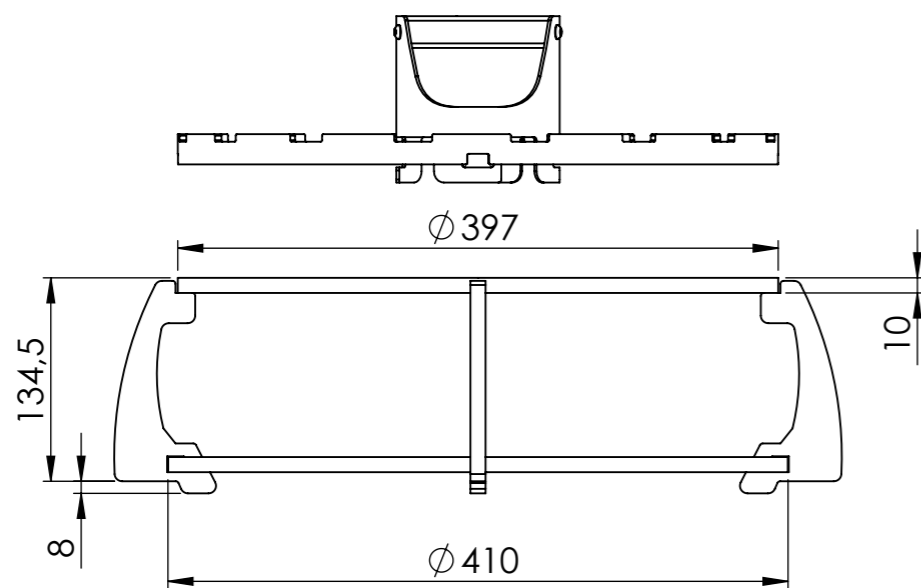


Pan plate **not** welded



ITEM NO.	PART NUMBER	THICKNESS	DESCRIPTION	QTY.
1	FSGL1-Grill Lifter			1
2	FSGR.400-Grill Raiser 400			1
3	FSFG.400-Flushgrill 400	10mm	S235	1
4	FSSR.400-Skewer Ring 400	5mm	S235	1

DRAWN	Luuk van den Heuvel	DATE	1-3-2023		TITLE:	FSGS.400-Grillset 400	
REVISION					Drawing.	FSGS.400-Grillset 400	A3
				Liessentstraat 4, 5405 AG Uden (NL). t 0031 (0)413 - 27 41 68. e info@forno.nl, i www.forno.nl	Color:	-	Mass(kg): 10.01
				SCALE:1:5	SHEET 1 OF 1		